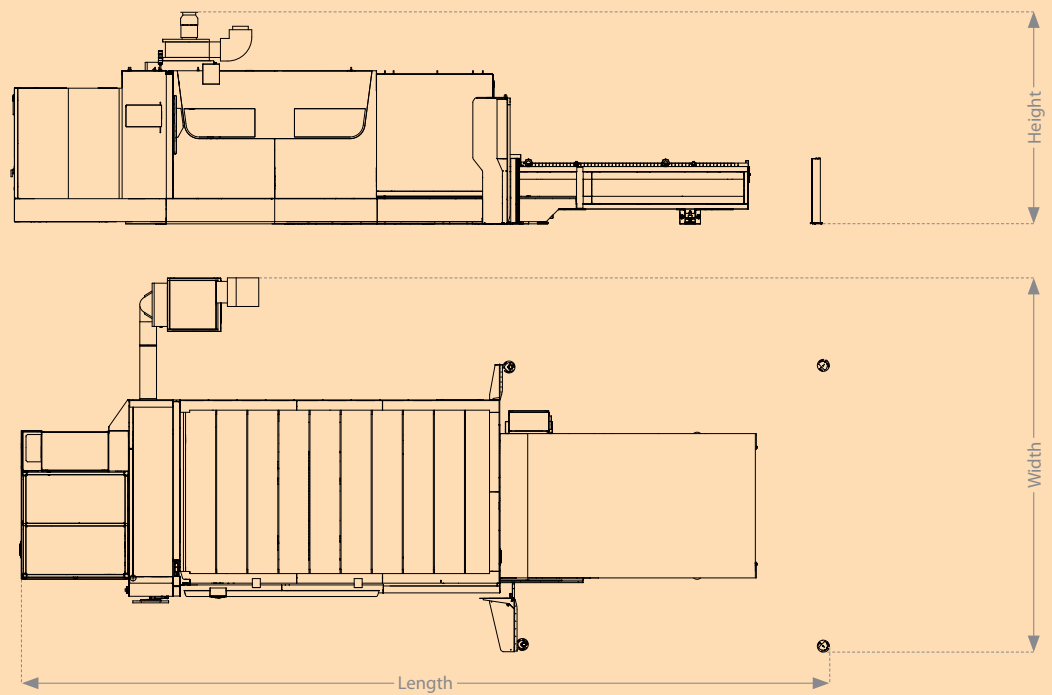


Technical Data

ByStar Fiber

	ByStar Fiber 3015	ByStar Fiber 4020	
Length	469	559	inch
Width	224	248	inch
Height	126	126	inch



Laser cutting system		ByStar Fiber 3015	ByStar Fiber 4020	
Nominal sheet size	x	120	160	inch
	y	60	80	
Cutting area	x	122	162	inch
	y	62	83	
	z	3.9	4	
Maximum positioning speed parallel axis x, y		4700	4700	inch/min
Maximum simultaneous positioning speed		6650	6650	inch/min
Bilateral repeatability of positioning of one axis R*		± 0.002	± 0.002	inch
Averaged, bilateral position deviation of one axis M*		± 0.004	± 0.004	inch
Edge detection accuracy		± 0.02	± 0.02	inch
Maximum workpiece weight		2420	4200	lbs
Machine weight**		24,300	32,000	lbs
Operation via panel		ByVision Touchscreen and manual control unit		

Laser source	Fiber 3000	Fiber 4000	Fiber 6000	Fiber 8000	Fiber 10000	
Power	3000	4000	6000	8000	10000	W
Control range	300–3000	400–4000	600–6000	800–8000	1000–10000	W
Wavelength	Fiber	Fiber	Fiber	Fiber	Fiber	
Maximum sheet thicknesses***						
Steel (max. cutting sheet thickness)	0.75	0.75	1	1	1	inch
Stainless steel (max. cutting sheet thickness)	0.5	0.6	1.18	1.18	1.18	inch
Aluminum (max. cutting sheet thickness)	0.5	0.6	1.18	1.18	1.18	inch
Copper (max. sheet thickness)	0.25	0.31	0.59	0.59	0.59	inch
Brass (max. sheet thickness)	0.25	0.31	0.47	0.47	0.47	inch
Total electrical consumption of system****	19	21	27	32	36	kW

* Following ISO 230-2:2006(E)

** Entire system without exhaust

*** In order to cut the maximum thicknesses, the following conditions must be met

- optimally maintained and adjusted laser cutting systems
- the materials must be of the quality specified by Bystronic (laser materials)

**** Entire system with exhaust and chiller

The right to make changes to dimensions, construction, and equipment is reserved. ISO-9001-certified.



TRUST PACK FIBER
by Bystronic

* Trust Pack Fiber: Extended warranty on high-quality laser source parts

Bystronic: Best choice.

Laser | Bending | Waterjet
bystronic.com