

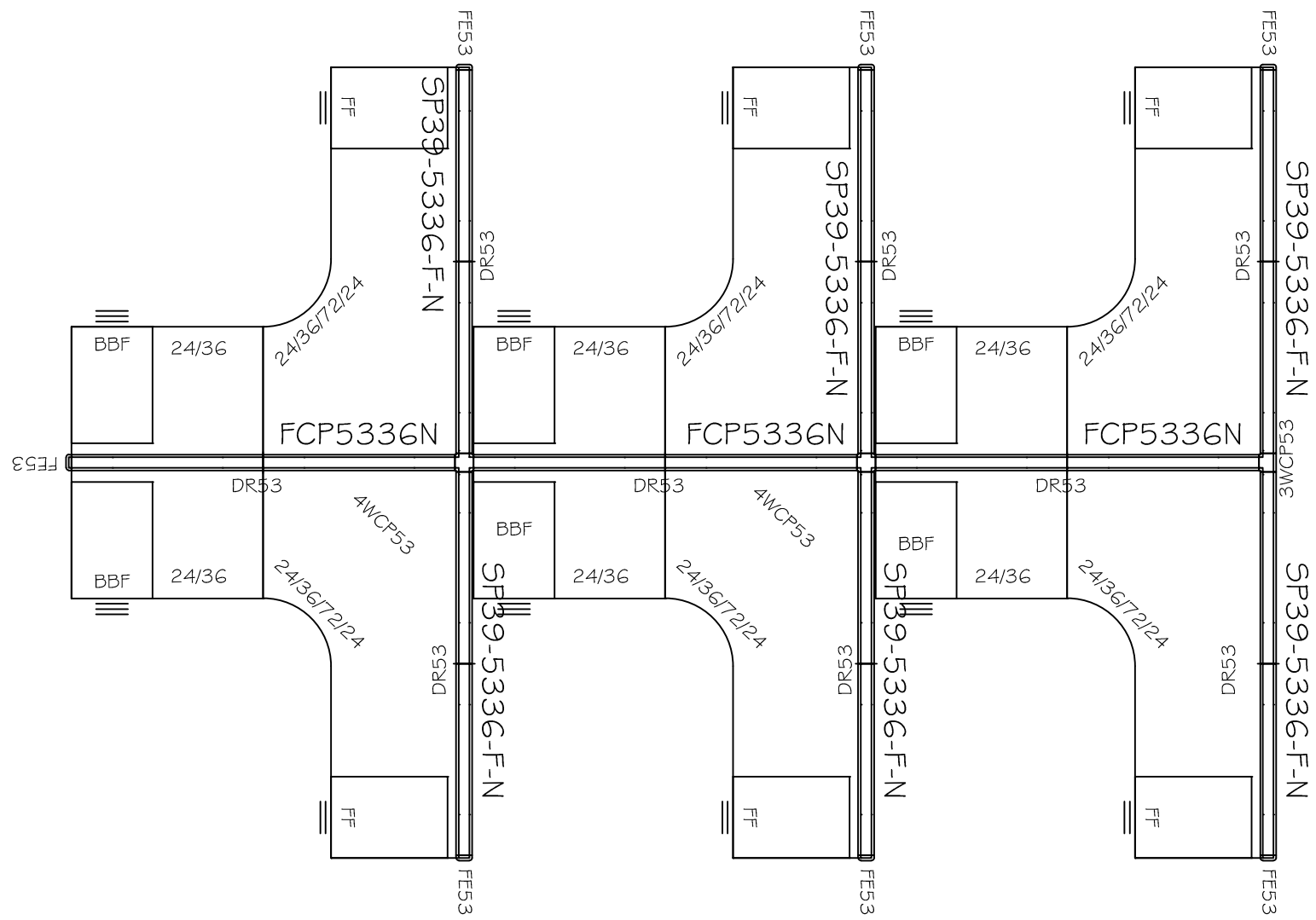


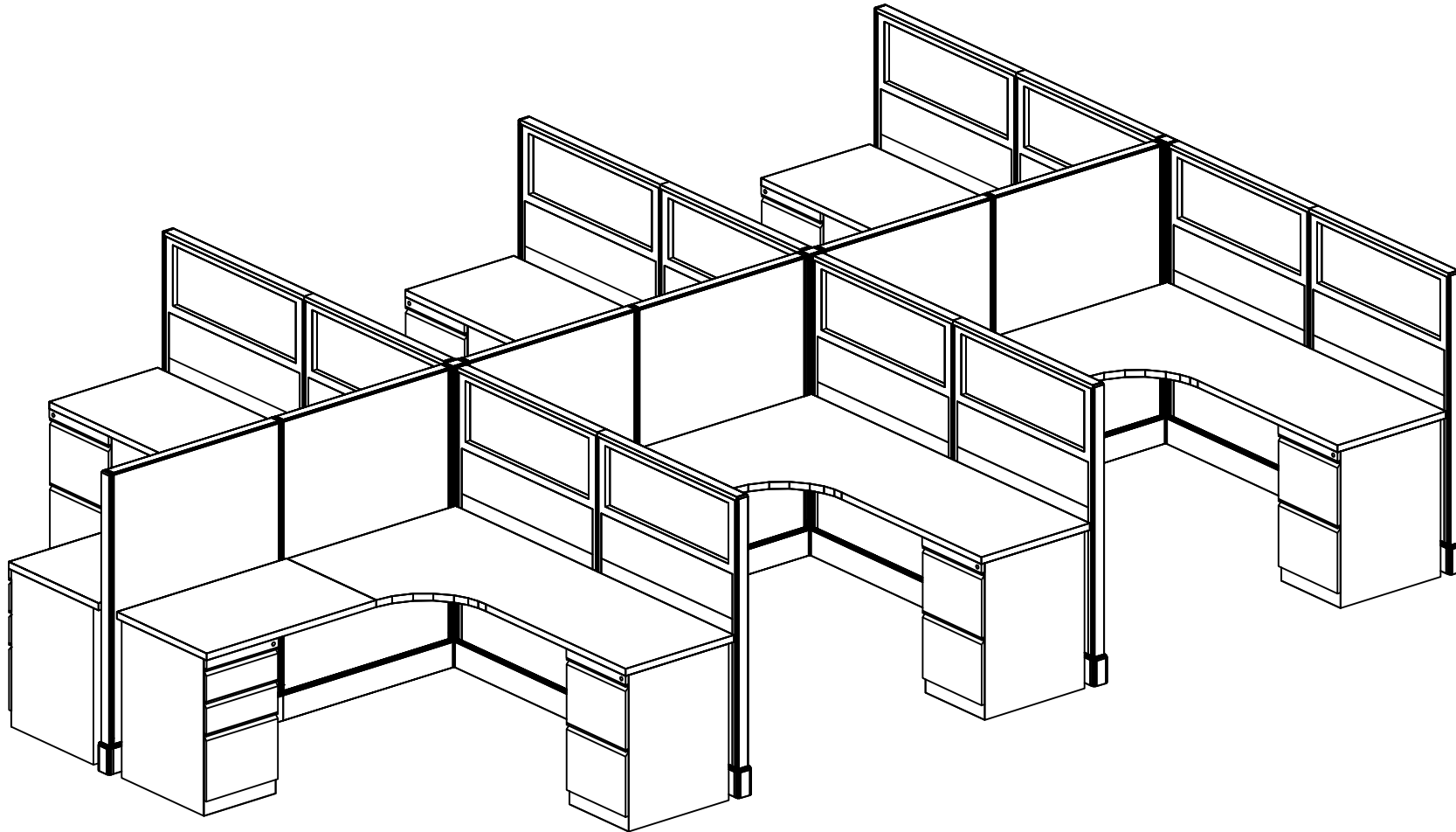
P.O BOX 206
 5225 JOERNS DRIVE
 STEVENS POINT, WI 54481
 715-345-9800
 WWW.SEGMENTEDSYSTEMS.COM

sheet title
 Monolithic 6' X 6' - 6P
 project
 FC
 department
 sales
 M
 designer
 Tony D.
 scale
 SCALED TO FIT
 date
 APRIL 2015
 revision
 N/A

accepted by
 date

Segmented + Monolithic 6' X 6' - 6 PACK





P.O BOX 206
 5225 JOERNS DRIVE
 STEVENS POINT, WI 54481
 715-345-9800
 WWW.SEGMENTEDSYSTEMS.COM

sheet title
 Monolithic 6' X 6' - 6P

project
 FC

department

sales
 M

designer
 Tony D.

scale
 SCALED TO FIT

date
 APRIL 2015

revision
 N/A

accepted by

date

Segmented + Monolithic 6' X 6' - 6 PACK