

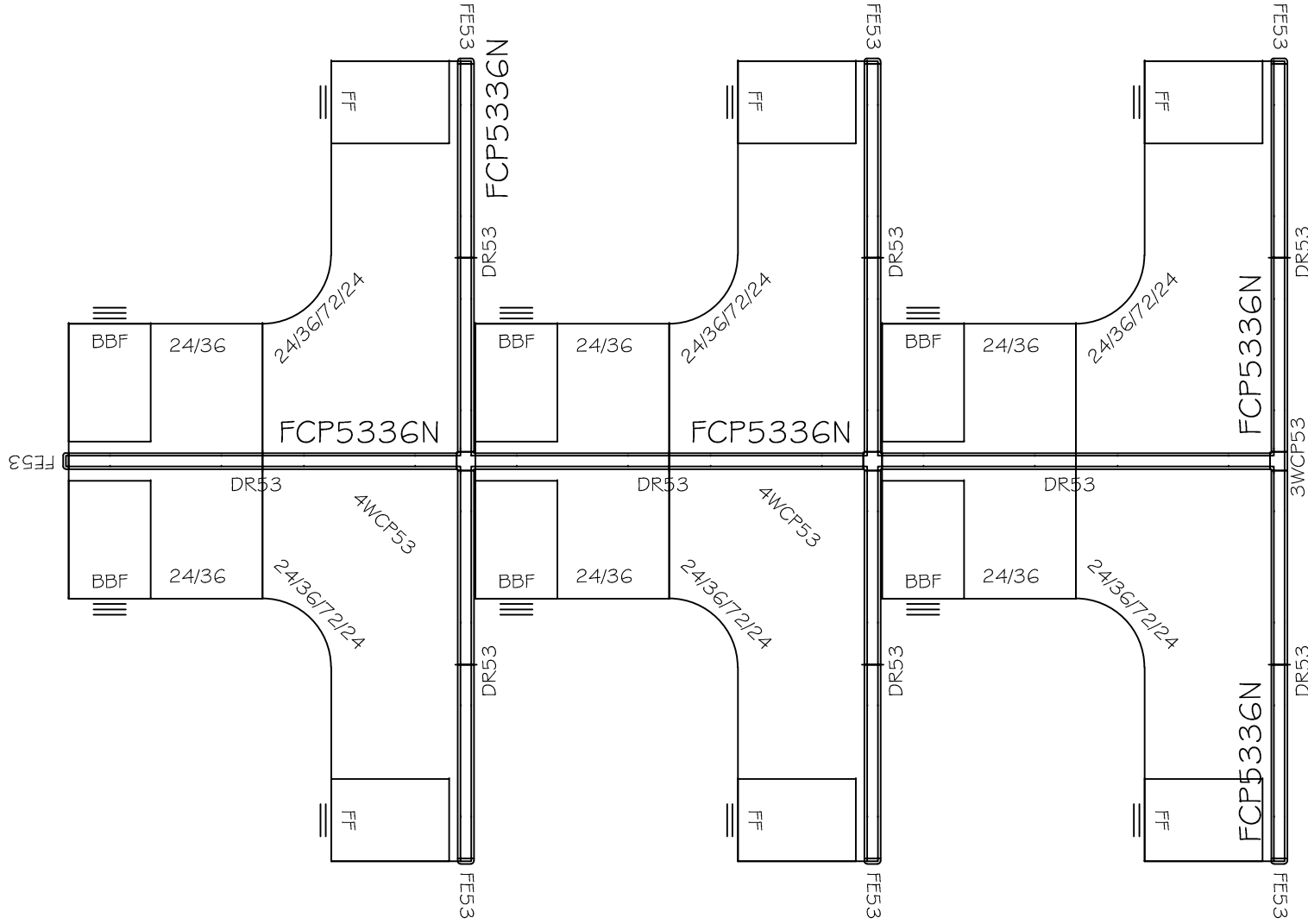


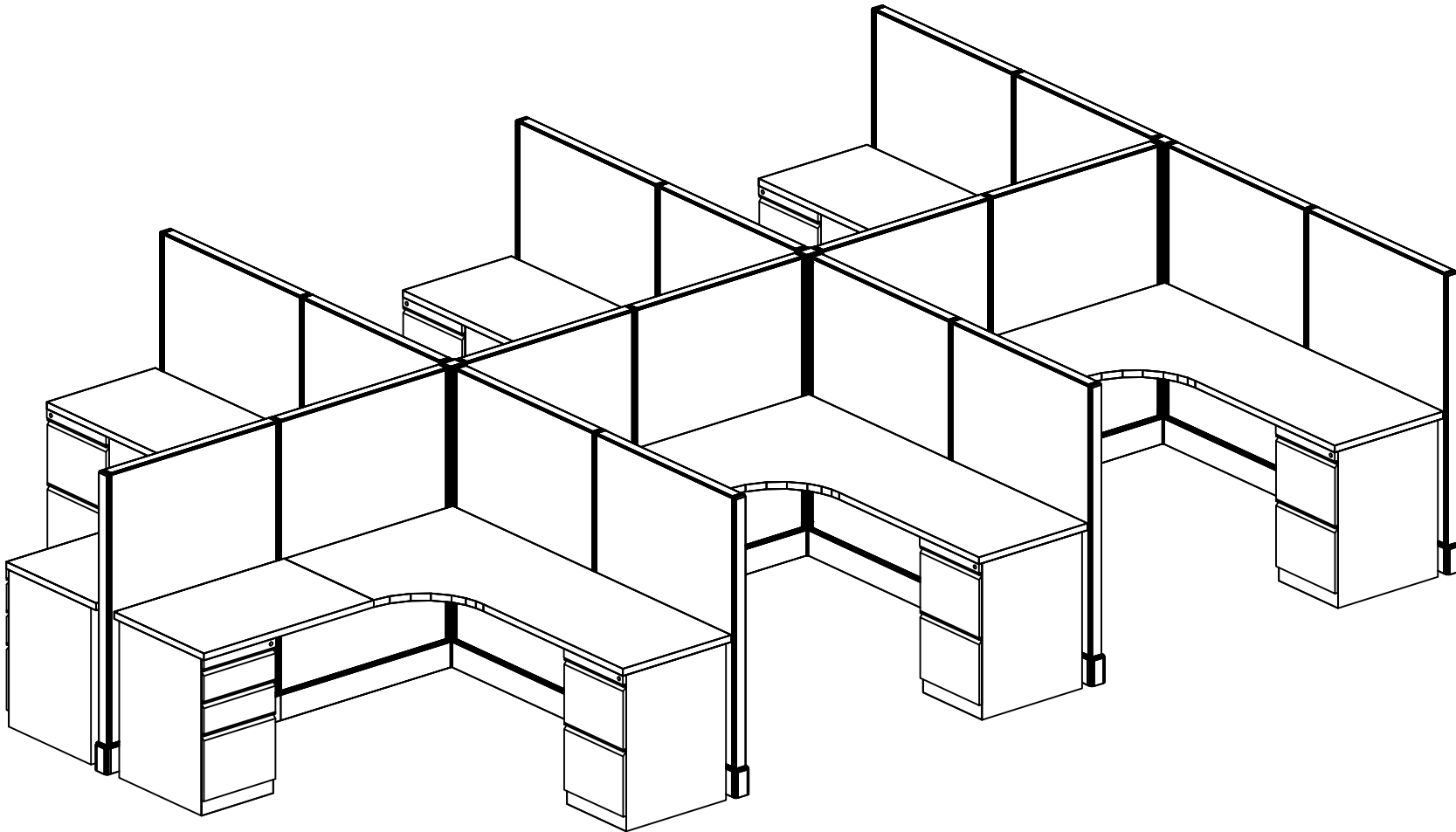
P.O BOX 206
 5225 JOERNS DRIVE
 STEVENS POINT, WI 54481
 715-345-9800
 WWW.SEGMENTEDSYSTEMS.COM

sheet title
 Monolithic 6' X 6' - GP
 project
 FC
 department
 sales
 M
 designer
 Tony D.
 scale
 SCALED TO FIT
 date
 APRIL 2015
 revision
 N/A

accepted by
 date

Monolithic 6' X 6' - 6 PACK





P.O BOX 206
5225 JOERNS DRIVE
STEVENS POINT, WI 54481
715-345-9800
WWW.SEGMENTEDSYSTEMS.COM

sheet title
Monolithic 6' X 6' - 6P
project
FC
department

sales
M
designer
Tony D.
scale
SCALED TO FIT
date
APRIL 2015
revision
N/A

accepted by

date

Monolithic 6' X 6' - 6 PACK